



## 305286 D Angular contact ball bearings, double row

### Angular contact ball bearings, double row

#### Bearing data

[Tolerances](#),

Normal, P6, P5,

[Internal clearance](#),

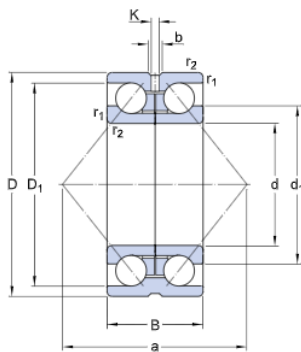
table, drawing no

#### Bearing interfaces

[Seat tolerances for standard conditions](#),

[Tolerances and resultant fit](#)

## Technical specification

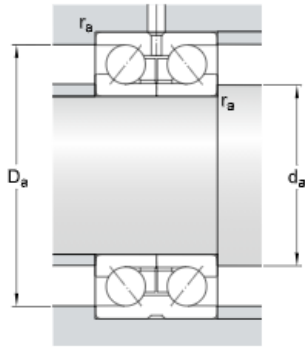


### DIMENSIONS

|                  |            |   |
|------------------|------------|---|
| d                | 150 mm     | Bore diameter   |
| D                | 225 mm     | Outside diameter                                      |
| B                | 73 mm      | Width   |
| d <sub>1</sub>   | ≈ 179.7 mm | Shoulder diameter inner ring for two-piece inner ring |
| D <sub>1</sub>   | ≈ 207 mm   | Shoulder diameter outer ring                          |
| b                | 5.5 mm     | Width annular lubrication groove at outer ring        |
| K                | 3 mm       | Diameter lubrication hole (outer ring)                |
| r <sub>1,2</sub> | min. 2 mm  | Chamfer dimension inner ring for two-piece inner ring |
| a                | 195 mm     | Distance pressure point(s)                            |

### ABUTMENT DIMENSIONS

|                |             |                           |
|----------------|-------------|---------------------------|
| d <sub>a</sub> | min. 155 mm | Abutment diameter shaft   |
| D <sub>i</sub> | max. 206 mm | Abutment diameter housing |
| r <sub>a</sub> | max. 2 mm   | Fillet radius             |



## CALCULATION DATA

|                |             |                           |
|----------------|-------------|---------------------------|
| C              | 182 kN      | Basic dynamic load rating |
| C <sub>0</sub> | 265 kN      | Basic static load rating  |
| P <sub>u</sub> | 7.5 kN      | Fatigue load limit        |
|                | 1 700 r/min | Reference speed           |
|                | 2 000 r/min | Limiting speed            |
| k <sub>r</sub> | 0.095       | Calculation factor        |
| e              | 1.14        | Calculation factor        |
| X              | 0.57        | Calculation factor        |
| Y <sub>0</sub> | 0.52        | Calculation factor        |
| Y <sub>1</sub> | 0.55        | Calculation factor        |
| Y <sub>2</sub> | 0.93        | Calculation factor        |

## MASS

|  |         |              |
|--|---------|--------------|
|  | 5.52 kg | Mass bearing |
|--|---------|--------------|